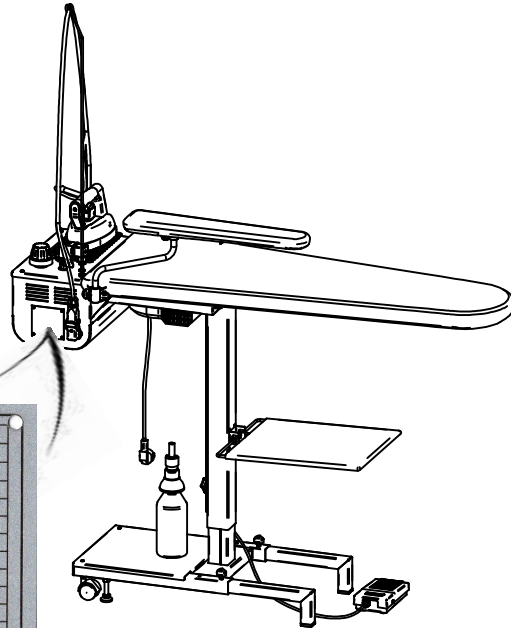




HOW TO IDENTIFY THE UNIT



Model:	JEUX SAKURA IRON-T
Serial nr.:	
Year of manufacture:	
Technical data:	
Voltage:	220-240 V - 50 HZ - 11 A
Boiler heating element:	850W
Iron heating element:	850W
Board heating element:	600W
Vacuum motor:	70W
Boiler capacity:	2,2 LT.
Working pressure:	2,5 bar
Net weight:	37,5 Kg
Packaging dimensions:	45 cm x 145 cm x 49 cm
  Registered brand owned and distributed by: JUKI CENTRAL EUROPE SP. Z.O.O. Ul. Poleczki 21 - Platan Park C, 02-822 Warsaw - Poland	
Made in Italy	

SERIAL NUMBER.....

IN0446

Data, descriptions and drawings in this manual are not binding. The company reserves the right to make any change if necessary.

REGISTERED BRAND

OWNED AND DISTRIBUTED BY:

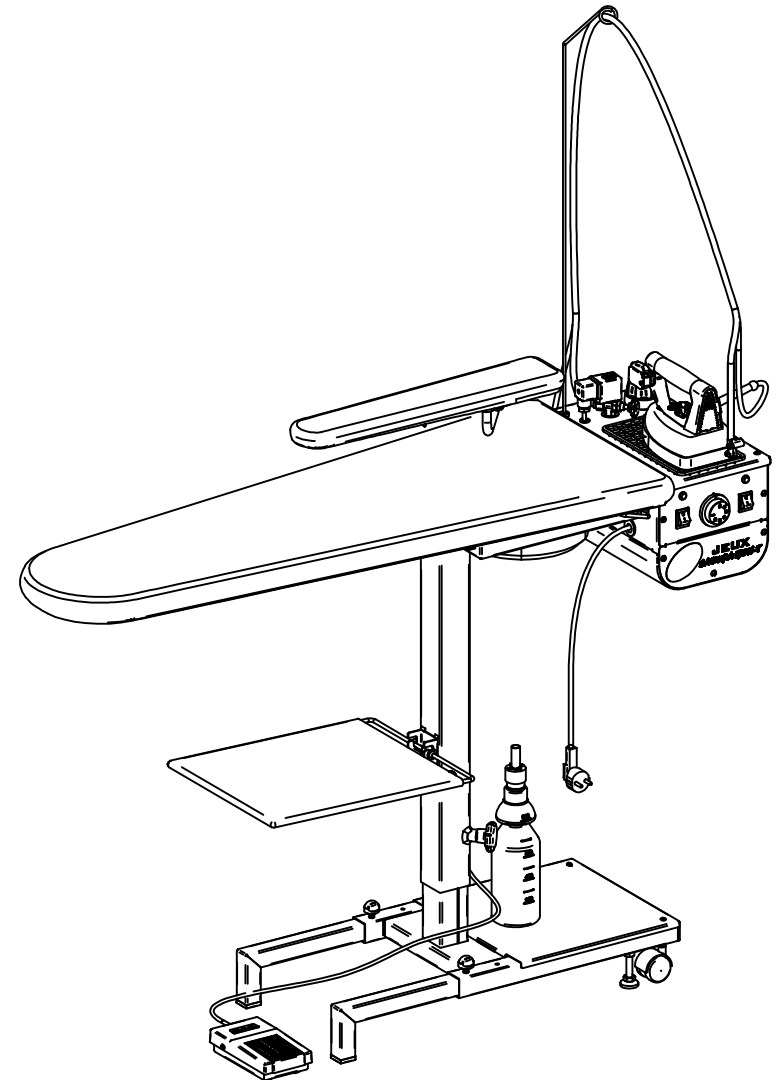
JUKY CENTRAL EUROPE SP. Z.O.O
 Ul. Poleczki 21 - Platan Park C
 02-822 Warsaw (Poland)

TEL.: +48225450400
 FAX.: +48225450411
 TAX ID.: PL9512147076

PLEASE READ CAREFULLY

JEUX SAKURA IRON-T

SERVICE AND USE INSTRUCTION MANUAL








cod. - A00848

MADE IN ITALY

INSTRUCTION MANUAL

A T T E N T I O N

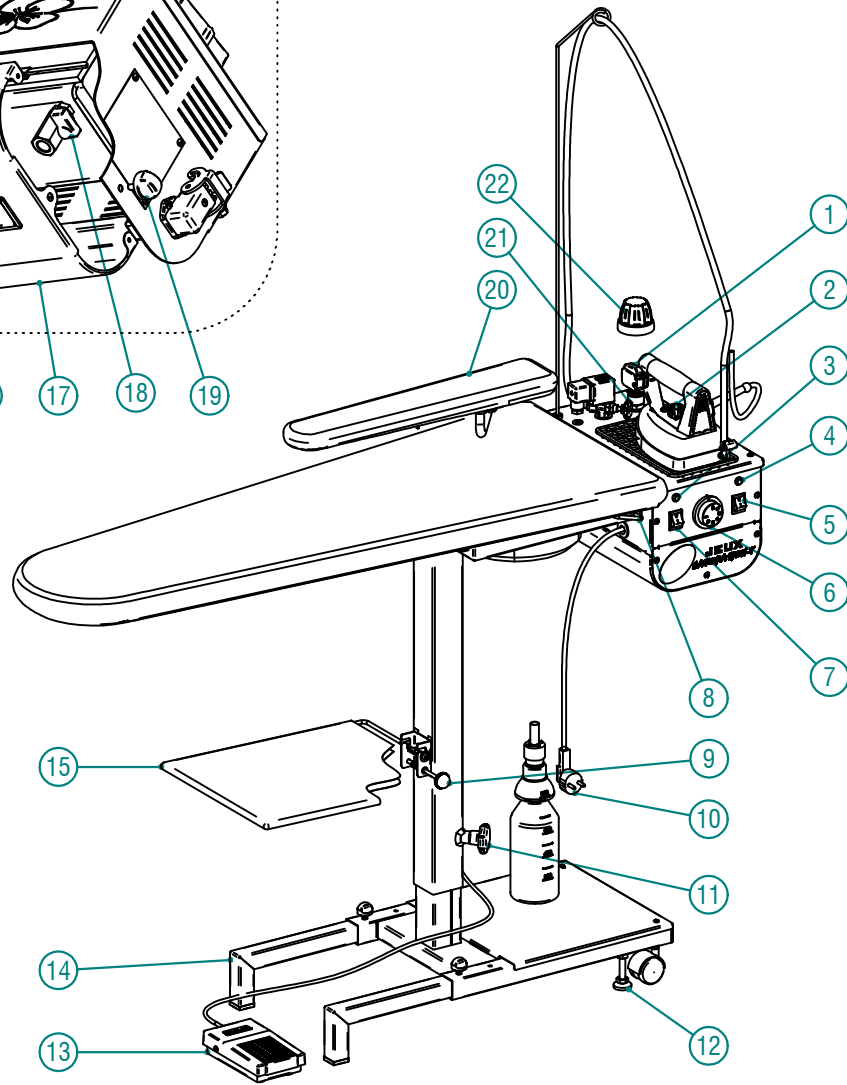
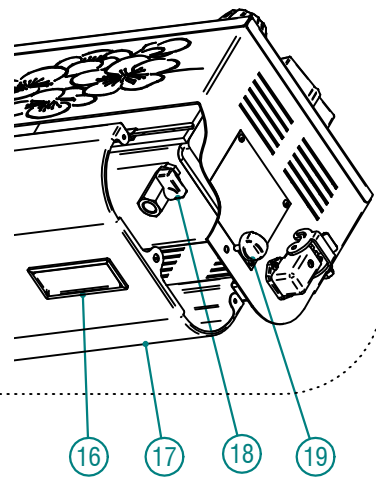
Please read carefully the overall instruction manual before carrying out any operation on the unit, in order to protect the operator and avoid any damage .

LABELS ON THE UNIT		ATTENTION- HEAT SOURCE-THERE MAY BE HIGH TEMPERATURES
		STOP TENSION BEFORE CARRYING OUT ANY OPERATION ON THE UNIT
		EARTH
WARNING SIGNS		DO NOT REMOVE ANY SAFETY DEVICE
		DO NOT CARRY OUT ANY OPERATION ON THE UNIT WHEN IT IS ON

SAFETY WARNINGS :

*Before using the unit, please verify that the mains voltage matches what is indicated on the unit plate. The unit must be plugged into mains and sockets duly earthed. * If the unit plug and the socket do not match, please have the plug replaced with a right one by qualified technicians. *The unit is electrically safe under the condition that it is duly earthed, as provided for by the current electrical safety rules. The manufacturer cannot be held responsible for any damage arising from the mains

being badly earthed. If in doubt, please contact a qualified technician. * After unpacking the unit, please make sure that it is untouched. If in doubt, do not operate the unit in any case and contact a qualified technician. *Please make sure that all packaging of the unit (plastic bags, expanded polystyrene,..) is away from children and carefully disposed of, since it may be dangerous. * Please do not use adaptors and/or extensions. If needed, only simple adaptors and extensions complying with the current safety rules must be used. However, please be careful and do not exceed the power limits marked on the adaptor. * The manufacturer cannot be held responsible for any damage arising from improper, wrong and unreasonable use of the unit and from careless service carried out by unqualified technicians. * Do not touch the unit with damp, wet hands or feet. Do not immerse the unit into water. * Do not operate the unit in bathrooms or any damp environment. * Do not pull the electric flex or the whole unit with damp, wet hands or feet. * Do not let children or the incompetent use the unit, unless under adults' control. * Do not leave the unit unattended when it is on, since it may turn dangerous. * Please make sure that the unit is turned off and disconnected from the power point before cleaning it out or carrying out any service on it. *Should the unit fail or work badly, please switch it off and never break it open. If service is needed, please contact service centres authorised by the manufacturer and ask for original spare parts to be used. Whether these warnings are disregarded, the safety of the unit may be undermined. * The user is kindly requested never to replace the electric flex of the unit. When it is damaged or needs being replaced, please contact service centres authorised by the manufacturer. *Please always disconnect the unit from the power point when it is not used.



REFERENCES

- | | | |
|-------------------------|--|-------------------------|
| 1_ IRON MICROSWITCH | 8_ HOOK TO BLOCK THE BOARD HORIZONTALLY | 15_ UNDER COVER TRAY |
| 2_ IRON THERMOSTAT | 9_ HOOK TO BLOCK THE BOARD UPRIGHT | 16_ HANDLE |
| 3_ WATER WARNING LIGHT | 10_ PLUG | 17_ PROTECTION CASE |
| 4_ STEAM WARNING LIGHT | 11_ DEVICE TO ADJUST THE TABLE IN HEIGHT | 18_ BOILER DRAINING TAP |
| 5_ BOILER ON/OFF SWITCH | 12_ ADJUSTABLE FOOT | 19_ KNOB |
| 6_ BOARD THERMOSTAT | 13_ VACUUM PEDAL | 20_ SLEEVE ARM |
| 7_ IRON ON/OFF SWITCH | 14_ SLIDING FOOT | 21_ STEAM FLOW KNOB |
| | | 22_ FILLING TOP |

HOW TO OPERATE THE UNIT :

"This ironing board has been designed to iron any kind of fabric in a professional way by means of a steady steam system"

INSTRUCTIONS

- a) Screw off the filling top (22) and fill the boiler with standard water. Screw the top on again mildly.
- b) Connect the plug (10) to a 220V, earthed power point.
- c) Press the boiler on/off switch (5) to start the boiler, press the iron on/off switch (7) to start the iron.
- d) Adjust the iron thermostat (2) between linen and cotton position (linen position is recommended when dry steam is needed, whereas cotton position is when damp steam is needed).
- e) Before any ironing, please wait for the steam warning light (4) to be lit. Should this warning light go off while you are ironing, please go on with your work. The warning light will come on automatically as soon as the steam has been available again.
- f) Use the board thermostat (6) to adjust the board temperature according to the fabric type pressed. Recommended temperature: 90°C.
- g) Press the iron micro switch (blue push-button)(1) to have the steam coming out from the iron. When you have finished to iron, please shortly operate the vacuum pedal (13)
- h) Use the knob (21) to adjust the steam flow from the iron.
- i) If needed, adjust the 2 feet (12) to balance the full unit and anchor it to the floor.
- j) To close up and fold the ironing table: please put the undercover tray (15) upright; catch the table by the handle (16) below the boiler case and unblock the hook (8); let the table fold and stay upright; block the table in the this position by means of the hook (9); let the feet (14) slide back to save space.
- k) This unit is fitted with a device to adjust the height of the table. This operation can be executed only if the unit is completely off (the board has to be completely cold) and before starting any ironing.
If you want to increase the table height, mildly unscrew the knob (9): the board will automatically keep on rising. When the height needed is reached, block the table there by screwing the know (9).
If you want to reduce the table height, mildly unscrew the knob (9) and keep pressing the board downwards in its central part (in line with the upright framework, never press the board in its right or left edge) as long as the heighth needed is reached. Then screw the knob (9) to block the board there.
- l) Install the arm (20) in the bracket already assembled on the backside of the board.
- m) You are kindly recommended to drain regularly the boiler, more often if the water you use is reach in scales. To do so, unlock the knob (19) and pull the drawer (17) by its handle (16): the draining tap (18) will now appear to blow down the boiler. Open the draining tap (18) and blow down the boiler. When the boiler is drained, close the draining tap (18), push the drawer (17) back by its handle (16) and lock the drawer (17) by the knob (19).

!!! WARNINGS AND SUGGESTIONS: !!!

- Never fill up the boiler.
- Never screw off the filling top (22) when the boiler in under pressure.
- Before screwing off the filling top (22) or draining the boiler by means of the tap (18), please be sure that no steam is still inside the boiler.
- Never let the unit overpowered for long, when it is on.
- Once the steam is over, pull out the plug, let the unit rest for 20 minutes, then screw off the top (22) very slowly and refill the water inside the boiler. Now repeat the steps described above.
- Never adjust the table height if the unit is on and as long as you are ironing. Adjust the table height only before ironing, when the unit is completely off the board is completely cold.

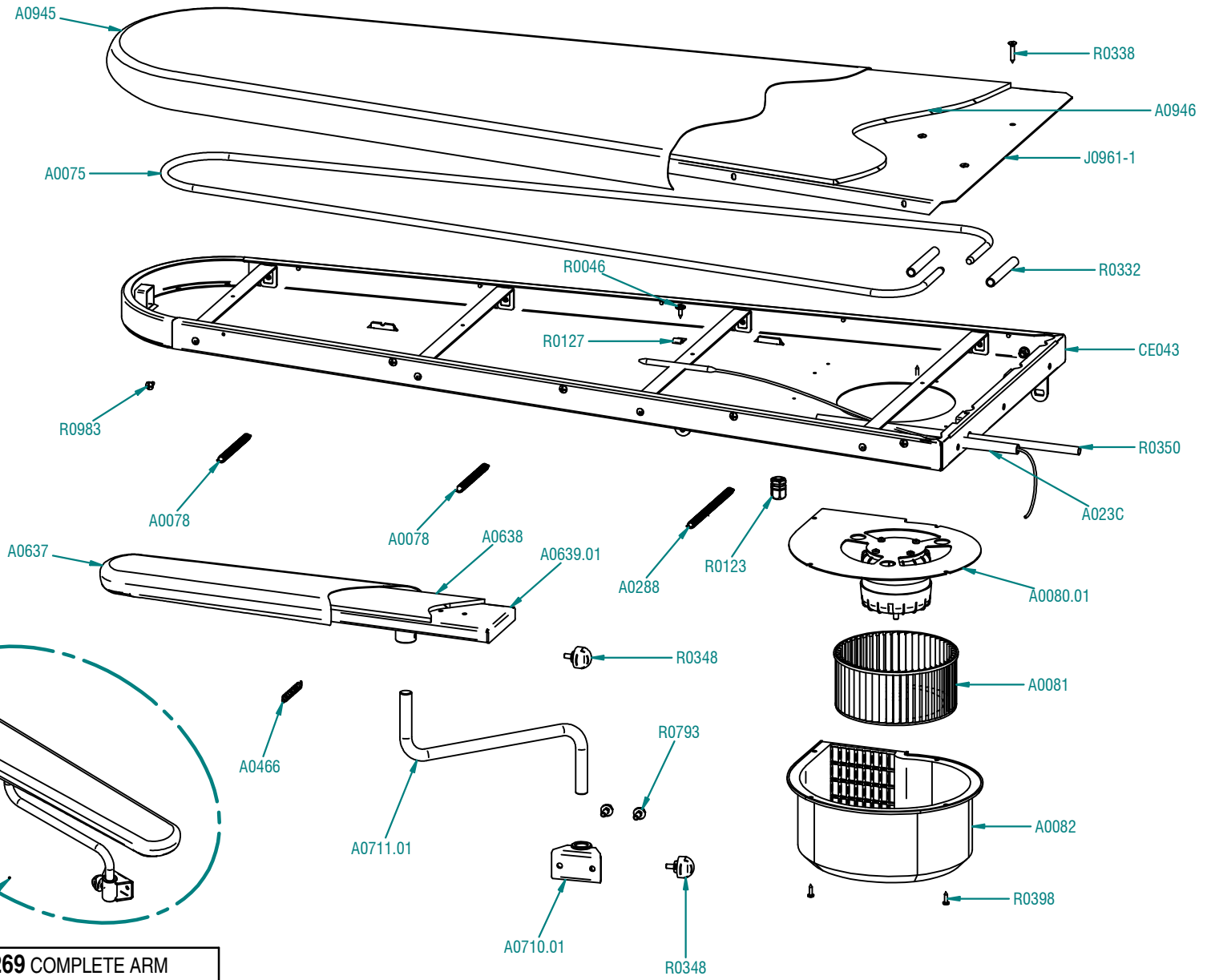
M A N U F A C T U R E R ' S
SPARE PARTS

If service is needed, please contact service centres authorized

by the manufacturer and ask for original spare parts to be used.

Whether this warning is disregarded, the safety of the unit

may be undermined.



Ref. A1269 COMPLETE ARM
 (This reference includes all the component parts in this view)

REF.	DESCRIPTION	Q*
A0075	Heating element	1
A0078	Spring	2
A0080.01	Motor + flange	1
A0081	Fan	1
A0082	Fan case	1
A023C	Rubber sleeve	1
A0288	Spring	1
A0466	Spring	1
A0637	Cover	1
A0638	Felt	1
A0639.01	Arm top (naked)	1
A0710.01	Bracket	1
A0711.01	Swinging support	1
A0945	Cover	1
A0946	Felt	1
CE043	Board	1
J0961-1	Punched plate	1
R0046	Screw	1
R0123	Flex-tightening ring	1
R0127	Cable fastener	1
R0332	Sheath	2
R0338	Screw	7
R0348	Knob	2
R0350	Sheath	1
R0398	Screw	5
R0793	Screw	2
R0983	Screw	10

* PIECES PER UNIT (IN THIS VIEW)

N.B. The above view is intended as pure indication. It serves to show all the component parts of the unit to make any service easier.

SPARE PARTS

BOARD DETAILED VIEW

JEUX SAKURA IRON-T

20/05/2022

ITAV-1114

000

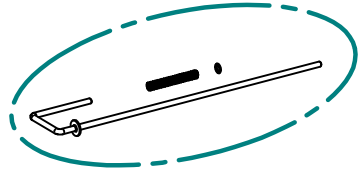
DESCRIPTION

TYPE

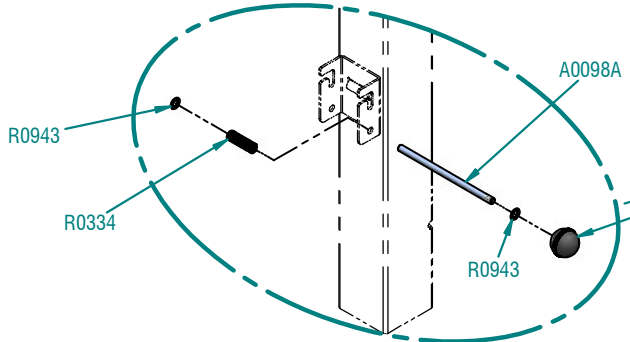
LAST CHANGE DATE

VIEW REF.

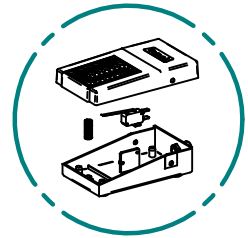
REVIEW.



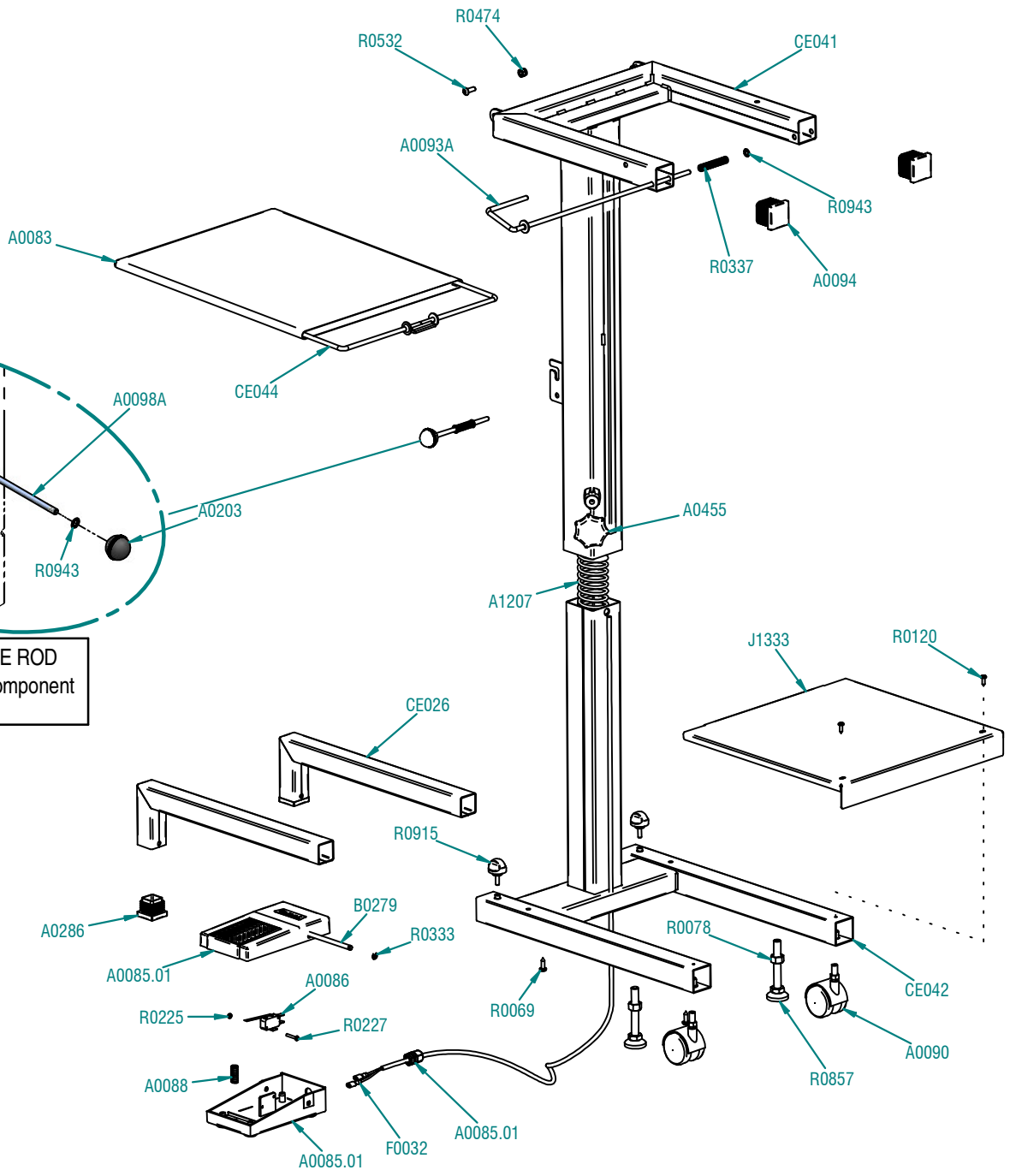
Ref. A0093A.01 COMPLETE ROD
(This reference includes all the component parts in this view)



Ref. A0098A.01 COMPLETE ROD
(This reference includes all the component parts in this view)



Ref. A0087 COMPLETE PEDAL
(This reference includes all the component parts in this view)



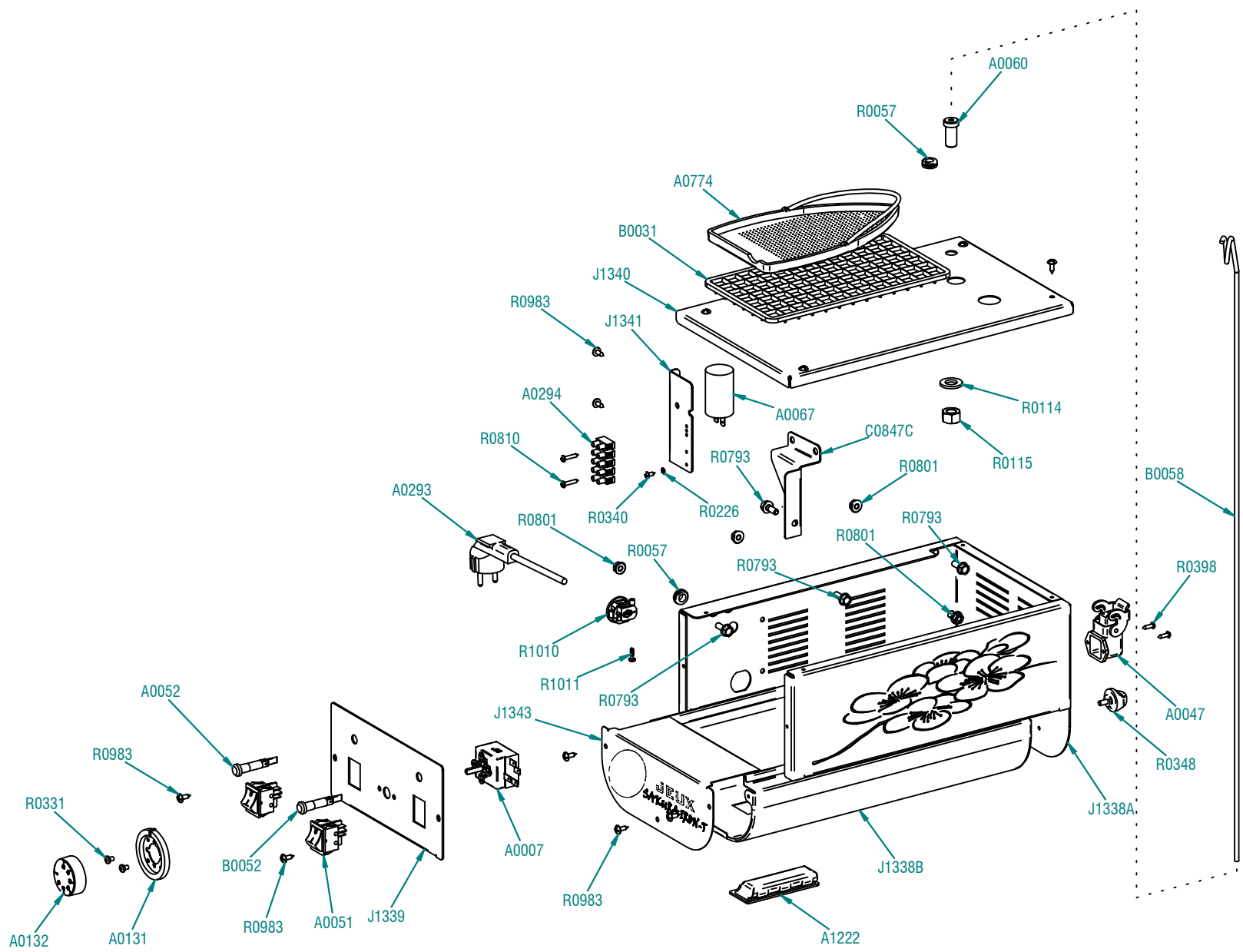
REF.	DESCRIPTION	Q*
A0083	Undercover tray	1
A0085.01	Pedal case	1
A0086	Micro switch	1
A0088	Spring	1
A0090	Castor	2
A0093A	Horizontal blocking rod	1
A0094	Blanking cap	2
A0098A	Upright blocking rod	1
A0203	Knob	1
A0286	Blanking cap	2
A0455	Knob	1
A1207	Spring	1
B0279	Pedal rod	1
CE026	Sliding foot	2
CE041	Upper framework	1
CE042	Lower framework	1
CE044	Frame for undercover tray	1
F0032	Flex	1
J1333	Lower tray	1
R0069	Screw	2
R0078	Nut	2
R0120	Screw	2
R0225	Nut	2
R0227	Screw	2
R0333	Seiger	2
R0334	Spring	1
R0337	Spring	1
R0474	Nut	2
R0532	Screw	2
R0857	Adjustable foot	2
R0915	Knob	2
R0943	Washer	3

* PIECES PER UNIT (IN THIS VIEW)

N.B. The above view is intended as pure indication. It serves to show all the component parts of the unit to make any service easier.

SPARE PARTS

BOARD FRAMEWORK DETAILED VIEW	JEUX SAKURA IRON-T	20/05/2022	ITAV-1115	000
DESCRIPTION	TYPE	LAST CHANGE DATE.	VIEW REF.	REVIEW.



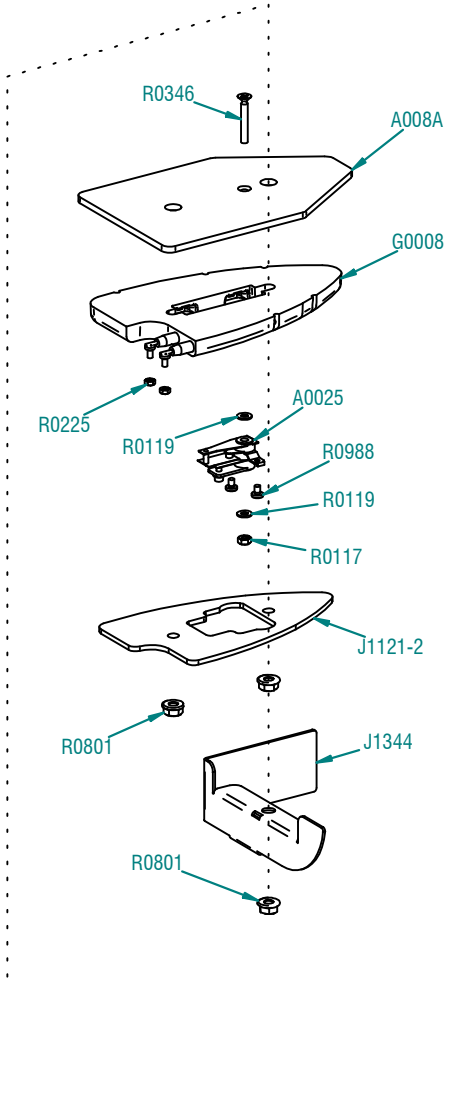
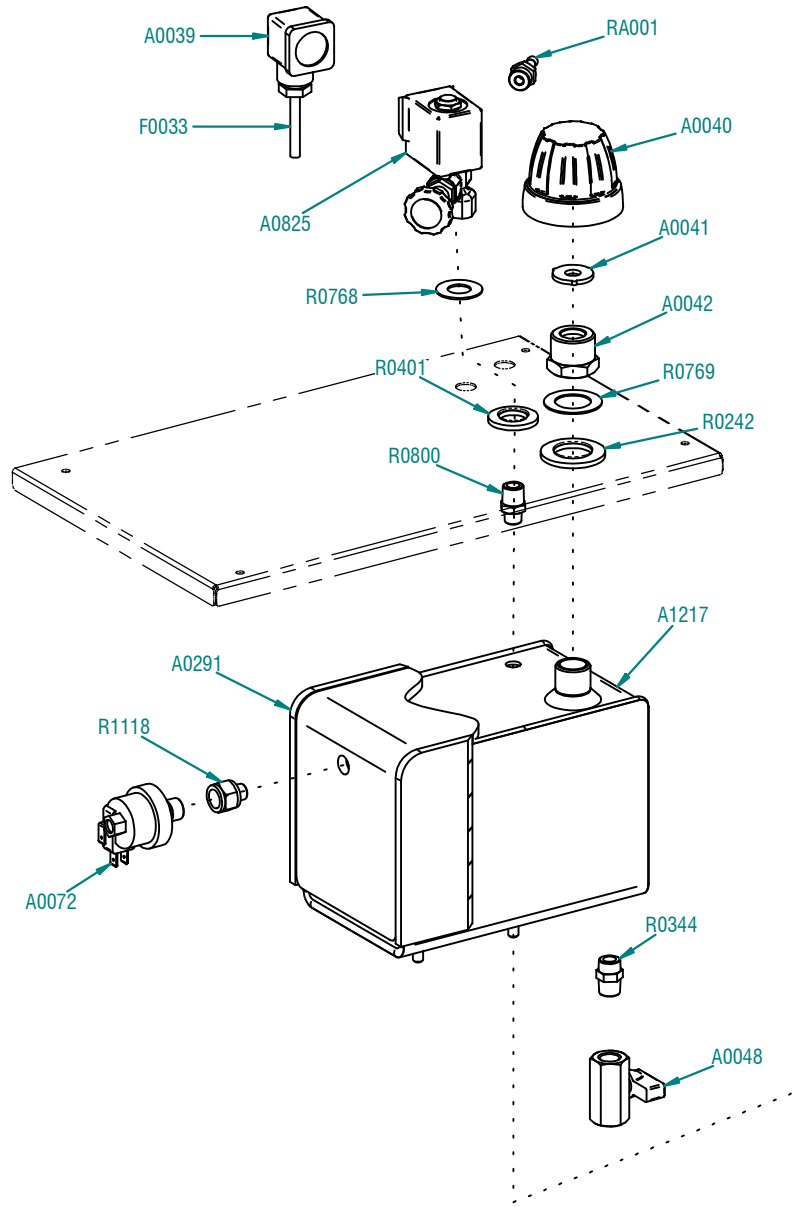
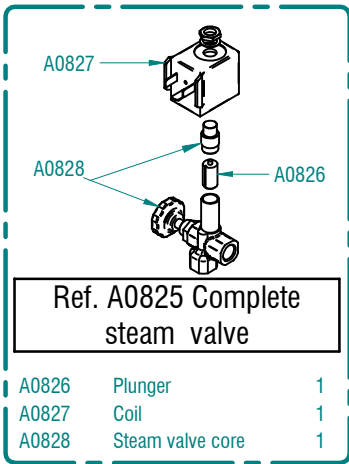
REF.	DESCRIPTION	Q*
A0007	Thermostat	1
A0047	Socket	1
A0051	On/off switch	2
A0052	Red warning light	1
A0060	Busher	1
A0067	Condenser	1
A0131	Thermostat ring	1
A0132	Thermostat knob	1
A0293	Electrical cable	1
A0294	Junction box	1
A0774	Teflon-aluminium shoe	1
A1222	Handle	1
B0031	Iron mat	1
B0052	Green warning light	1
B0058	Hose stand	1
C0847C	Bracket	1
J1338A	Case upper part	1
J1338B	Case lower part	1
J1339	Switch panel	1
J1340	Panel	1
J1341	Junction box support	1
J1343	Front panel	1
R0057	Rubber ring	2
R0114	Washer	1
R0115	Nut	1
R0226	Washer	1
R0331	Screw	2
R0340	Screw	1
R0348	Knob	1
R0398	Screw	2
R0793	Screw	4
R0801	Nut	4
R0810	Screw	2
R0983	Screw	11
R1010	Plastic clamp	1
R1011	Screw	1

* PIECES PER UNIT (IN THIS VIEW)

N.B. The above view is intended as pure indication. It serves to show all the component parts of the unit to make any service easier.

SPARE PARTS

BOILER CASE DETAILED VIEW	JEUX SAKURA IRON-T	20/05/2022	ITAV-1116	000
DESCRIPTION	TYPE	LAST CHANGE DATE.	VIEW REF.	REVIEW.

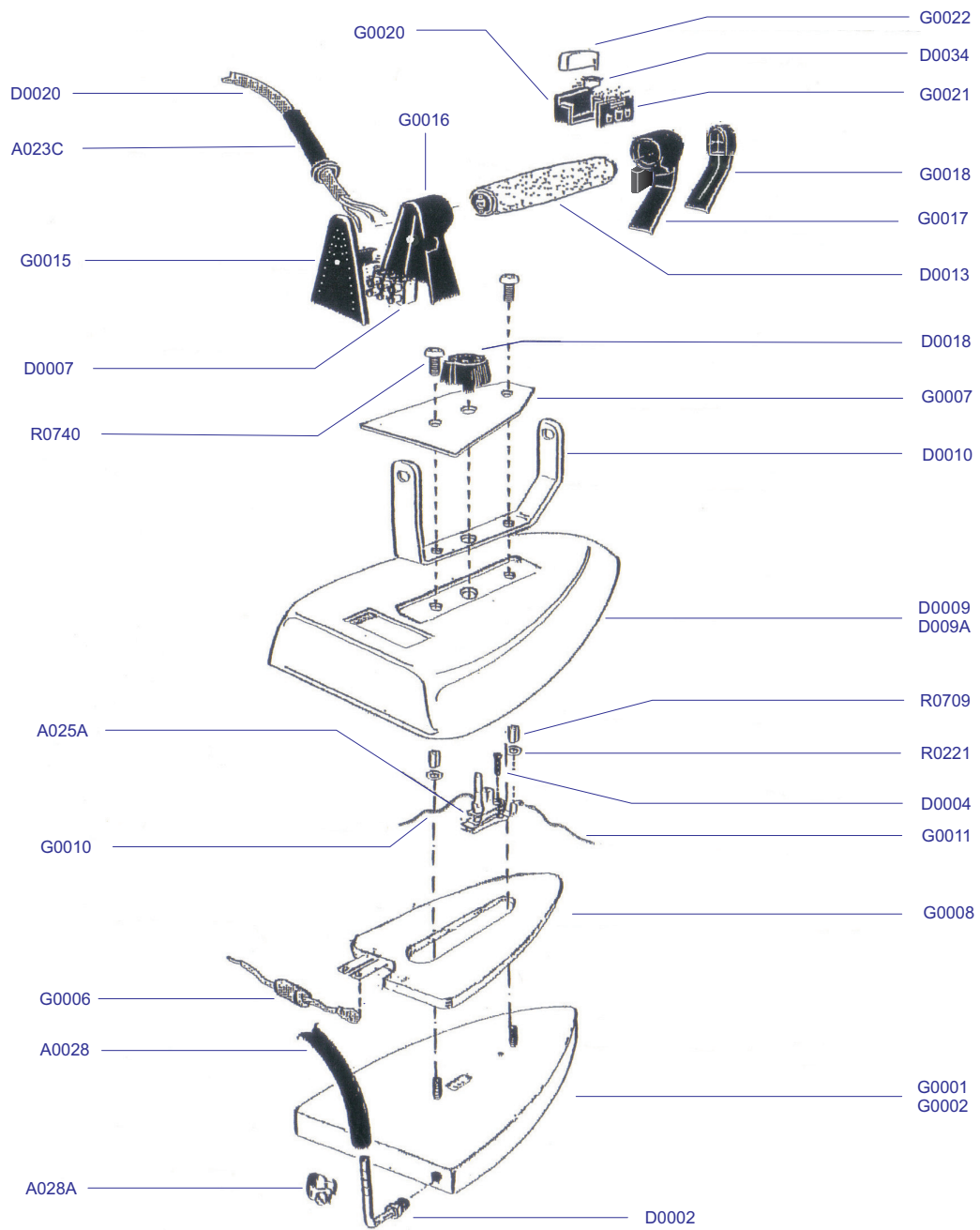


REF.	DESCRIPTION	Q*
A0025	Thermostat	1
A0039	Connector	1
A0040	Filling top	1
A0041	Washer	1
A0042	Fitting	1
A0048	Tap	1
A0072	Pressure switch	1
A008A	Aluminium plate	1
A0291	Boiler insulation	1
A0825	Complete steam valve	1
A0960	Measuring bottle	1
A1217	Inox boiler	1
F0033	Flex	1
G0008	Heating element	1
J1121-2	Plate	1
J1344	Draining tap shield	1
R0117	Nut	1
R0119	Washer	2
R0225	Nut	2
R0242	Washer	1
R0344	Fitting	1
R0346	Screw	1
R0401	Washer	1
R0768	Washer	1
R0769	Washer	1
R0800	Fitting	1
R0801	Nut	3
R0988	Screw	2
R1118	Fitting	1
RA001	Nipple	1

* PIECES PER UNIT (IN THIS VIEW)

N.B. The above view is intended as pure indication. It serves to show all the component parts of the unit to make any service easier.

SPARE PARTS	BOILER DETAILED VIEW	JEUX SAKURA IRON-T	20/05/2022	ITAV-1117	000
	DESCRIPTION	TYPE	LAST CHANGE DATE.	VIEW REF.	REVIEW.



REF.	DESCRIPTION	Q*
A0028	Steam hose	1
A023C	Rubber sleeve	1
A025A	Thermostat	1
A028A	Steam hose clamp	1
D0002	Steam hose elbow	1
D0004	Screw	2
D0007	Junction box	1
D0009	Small chromium-plated cover	1
D009A	Big chromium-plated cover	1
D0010	Chromium-plated handle	1
D0013	Cork handle	1
D0018	Thermostat knob	1
D0020	Flex	1
D0034	Micro switch core	1
G0001	Small iron base	1
G0002	Big iron base	1
G0006	Thermal cut-out	1
G0007	Market tag	1
G0008	Heating element	1
G0010	Wire	1
G0011	Wire	1
G0015	Back cap	1
G0016	Back handle support	1
G0017	Front handle support	1
G0018	Front cap	1
G0020	Micro switch holder	1
G0021	Spacing tag	1
G0022	Blue micro switch button	1
R0221	Washer	2
R0709	Spacing cylinder	2
R0740	Screw	2

*PIECES PER UNIT (IN THIS VIEW)

N.B. The above view is a pure indication. It serves to show all the component parts of the unit to make any service easier .

R I C A M B I

721 PAB - GAB IRON

COMPONENT PARTS

21/03/2008

IFER-0020

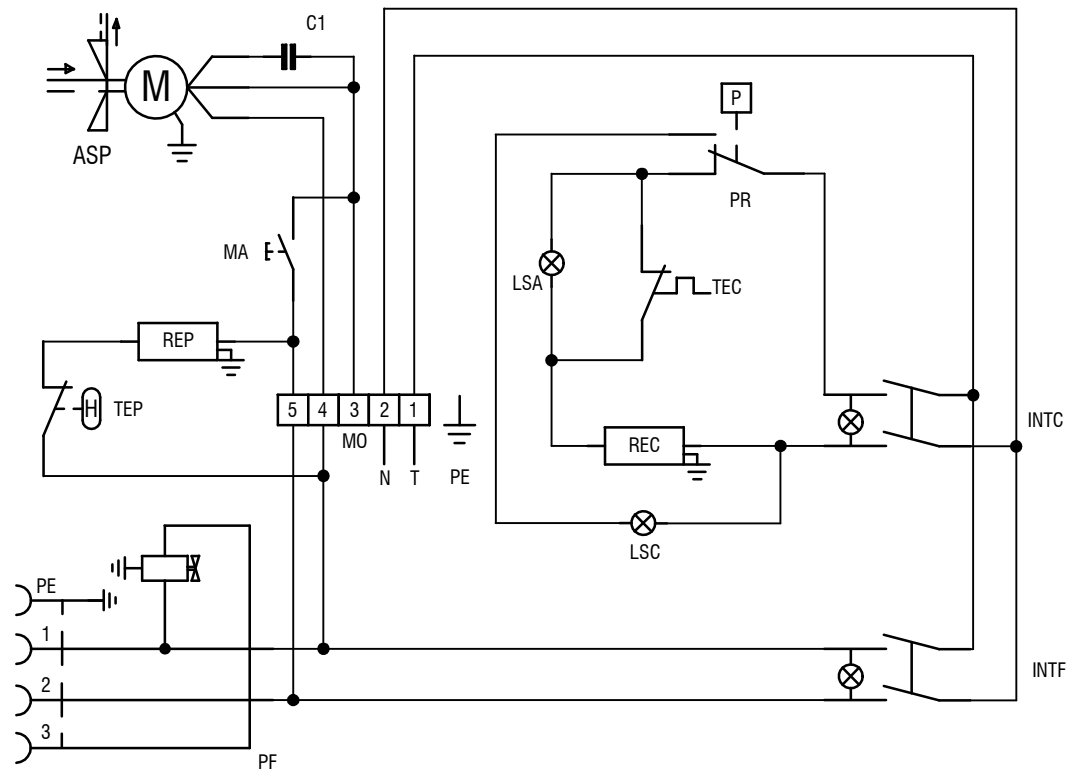
DESCRIPTION

TYPE

LAST CHANGE DATE

VIEW REF.

REF.	DESCRIPTION
INTF	IRON ON/OFF SWITCH
INTC	BOILER ON/OFF SWITCH
TEP	BOARD THERMOSTAT
REP	BOARD HEATING ELEMENT
PF	IRON SOCKET
PR	PRESSURE SWITCH
LSC	STEAM WARNING LIGHT
MA	PEDAL MICROSWITCH
MO	CLAMP
REC	BOILER HEATING ELEMENT
TEC	BOILER THERMOSTAT
LSA	WATER WARNING LIGHT
C1	CONDENSER
ASP	MOTOR
N	NEUTRAL WIRE
T	LIVE WIRE
PE	EARTH



WIRING DIAGRAM

JEUX SAKURA IRON-T

20/05/2022

ISE0300

000

DESCRIPTION

TYPE

LAST CHANGE DATE.

VIEW REF.

REVIEW.